

# 宁波品恩泰克新能源有限公司

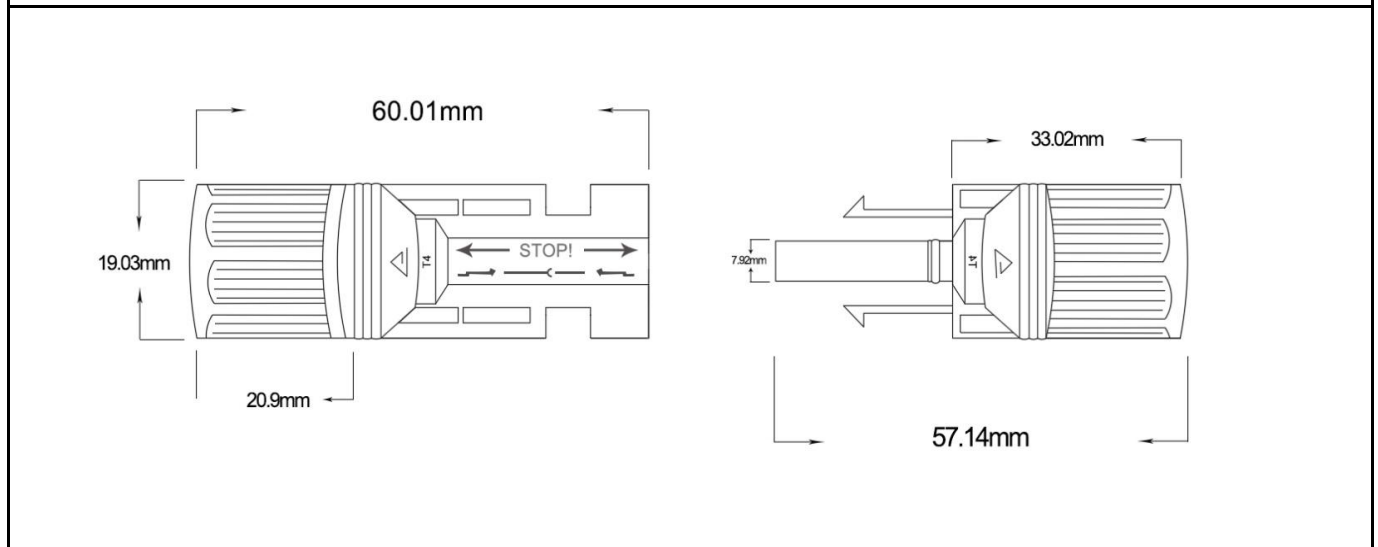
NINGBO PNTECH NEW ENERGY CO.,LTD

Technical Specification For PV MC4 Connector	
<b>Connector Type</b> 连接器类型 光伏连接器 (SAA-T4) MC4 connector	
<b>Application</b> 应用 Solar photovoltaic system 适用于太阳能光伏系统	
<b>standard</b> 标准 EN 62852:2015	

Electrical Characteristics 电气性能			
Rated Voltage 额定电压	1000V DC	Ambient Temperature 环境温度	- 40℃~+85℃
Rated impulse voltage 脉冲电压	8000V	Matching with 适配连接器	PV004/MC4
Rated insulation voltage 绝缘电压	6000V	Insulation Material 绝缘材料	PPO
Rated Current 额定电流	30A	Contact material 接触材料	Tin plated copper
Protection Degree 防水等级	IP67	Flame Class 防火等级	UL94-V0
Contact Resistance 接触电阻	≤0.5mΩ	Trademark	

## Properties 产品特性

- λ Possess excellent resistance to high temperature, fire protection, anti-aging and anti-UV properties, to meet the outdoor longterm use under harsh environmental conditions require.
- λ Excellent sealing performance, waterproof and dustproof rating up to IP67.
  - Male and female head swap with a self-locking, electrical connections fully reliable, open and close freely.
  - Has broad applicability, can be inserted with the MC4 and match each other completely.



更改		第二版	编制		审核	
		版本	批准		日期	
参考原编号:		未注长度单位: mm				